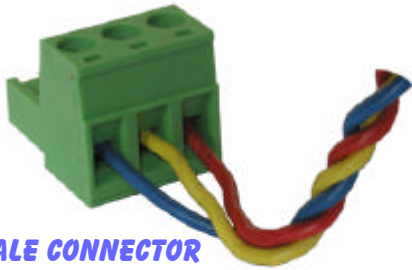


PLUG IN RISING CLAMP TERMINALS

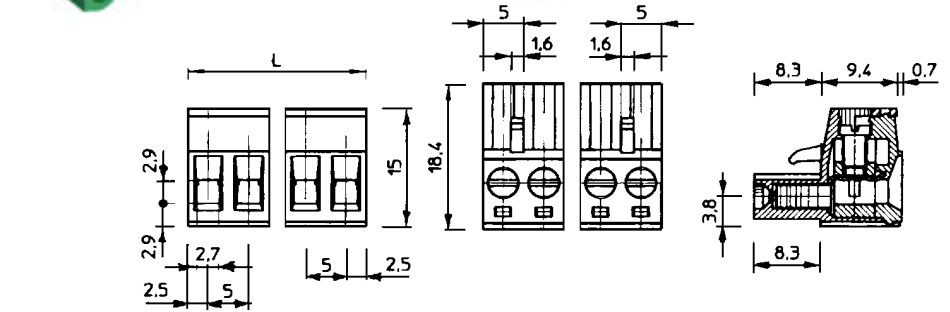
PLUG-IN 5MM PITCH (GREEN)



FEMALE CONNECTOR



Part Number	Poles	Length
CTB9200/2	2 Way	10mm
CTB9200/3	3 Way	15mm
CTB9200/4	4 Way	20mm
CTB9200/5	5 Way	25mm
CTB9200/6	6 Way	30mm
CTB9200/7	7 Way	35mm
CTB9200/8	8 Way	40mm
CTB9200/9	9 Way	45mm
CTB9200/10	10 Way	50mm
CTB9200/11	11 Way	55mm
CTB9200/12	12 Way	60mm
CTB9200/15	15 Way	75mm
CTB9200/16	16 Way	80mm

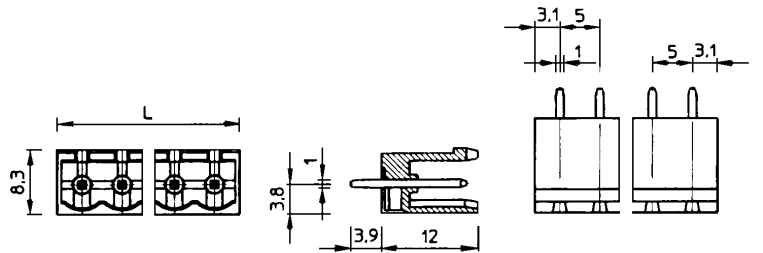


PCB MOUNTING MALE VERTICAL

CLOSED END



Part Number	Type
CTB9300/2	2 Way
CTB9300/3	3 Way
CTB9300/4	4 Way
CTB9300/5	5 Way
CTB9300/6	6 Way
CTB9300/7	7 Way
CTB9300/8	8 Way
CTB9300/9	9 Way
CTB9300/10	10 Way
CTB9300/11	11 Way
CTB9300/12	12 Way
CTB9300/15	15 Way
CTB9300/16	16 Way



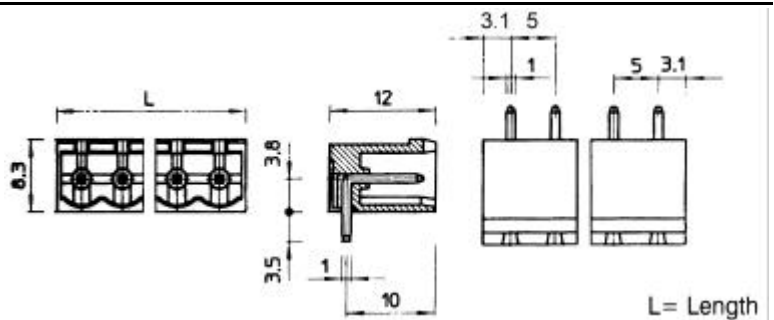
L= Length

PCB MOUNTING MALE RIGHT ANGLE

CLOSED END



Part Number	Poles	Length
CTB9350/2	2 Way	11.2mm
CTB9350/3	3 Way	16.2mm
CTB9350/4	4 Way	21.2mm
CTB9350/5	5 Way	26.2mm
CTB9350/6	6 Way	31.2mm
CTB9350/7	7 Way	36.2mm
CTB9350/8	8 Way	41.2mm
CTB9350/9	9 Way	46.2mm
CTB9350/10	10 Way	51.2mm
CTB9350/11	11 Way	56.2mm
CTB9350/12	12 Way	61.2mm
CTB9350/15	15 Way	76.2mm
CTB9350/16	16 Way	81.2mm



L= Length